



**Fire-LITE<sup>®</sup> Alarms**  
incorporated

July 28, 1998

G-130

**Gentex ZMS4**  
**Synchronization Control Module**  
**UL 1971 Compliant**

Section: Audio/Visual Devices

**GENERAL**

The **Gentex ZMS4 Synchronization Control Module** is designed to provide an easy way to synchronize multiple strobe light flashes in those rare instances where a synchronized flash is required. The control module also has the ability to synchronize multiple horn signals with a Code 3 temporal pattern. For the horn to operate correctly, it must produce a continuous tone when powered from a continuous source of rated supply without the control module. By incorporating the control module as shown in the wiring diagrams (page 2), the control module will control the power to the horns to produce the synchronized temporal pattern.

When using the Z-Series strobe lights, synchronization may also be attained without the use of a control module if the fire alarm control panel is capable of providing pulsed power with a minimum power-off time of 10 mS and a maximum power-off time of 50 mS and with a repetition rate of 1 second.

**FEATURES**

- Synchronize Code 3 temporal pattern.
- Operates Gentex Horn and Horn/Strobe Series that generate a continuous tone: GXS, GX90/GX90S, and GMH/GMS. Also operates the HG/SHG Series manufactured before 2/16/98. Use AVS44 with the GOS/GOT Series.
- Easy to install.
- Module is rated for 3 Amps at 24 VDC.
- Synchronizes to 1 Hz flash rate.



S5405

**MEA**

285-91-E Vol. XII



**ORDERING INFORMATION**

MODEL NUMBER	OPERATING VOLTAGE	INRUSH (mA)	PEAK (mA)	DC (mA)	FWR (mA)	CANDELA
<b>ZMS4</b>	21 VDC	—	—	19 mA	—	—
	24 VDC	—	—	20 mA	—	—
	30 VDC	—	—	21 mA	—	—
	21 VFWR	—	—	—	19 mA	—
	24 VFWR	—	—	—	20 mA	—
	30 VFWR	—	—	—	21 mA	—
<b>STROBE RATED CURRENT</b>						
<b>Gentex 4-15/75Z* Strobes</b>	21 VDC	420 mA	440 mA	144 mA	—	15*
	24 VDC	490 mA	680 mA	130 mA	—	15*
	30 VDC	620 mA	580 mA	116 mA	—	15*
	21 VFWR	550 mA	920 mA	—	172 mA	15*
	24 VFWR	640 mA	920 mA	—	155 mA	15*
	30 VFWR	700 mA	640 mA	—	138 mA	15*

\* Rated 75 Cd per UL 1638, Fire Protective Visual Signaling Appliances.

This document is not intended to be used for installation purposes. We try to keep our product information up-to-date and accurate. We cannot cover all specific applications or anticipate all requirements. All specifications are subject to change without notice. For more information, contact **Fire-Lite**. Phone: (203) 484-7161 FAX: (203) 484-7118



12 Clintonville Road, Northford, Connecticut 06472

**ISO-9001**  
Engineering and Manufacturing  
Quality System Certified to  
International Standard ISO-9001



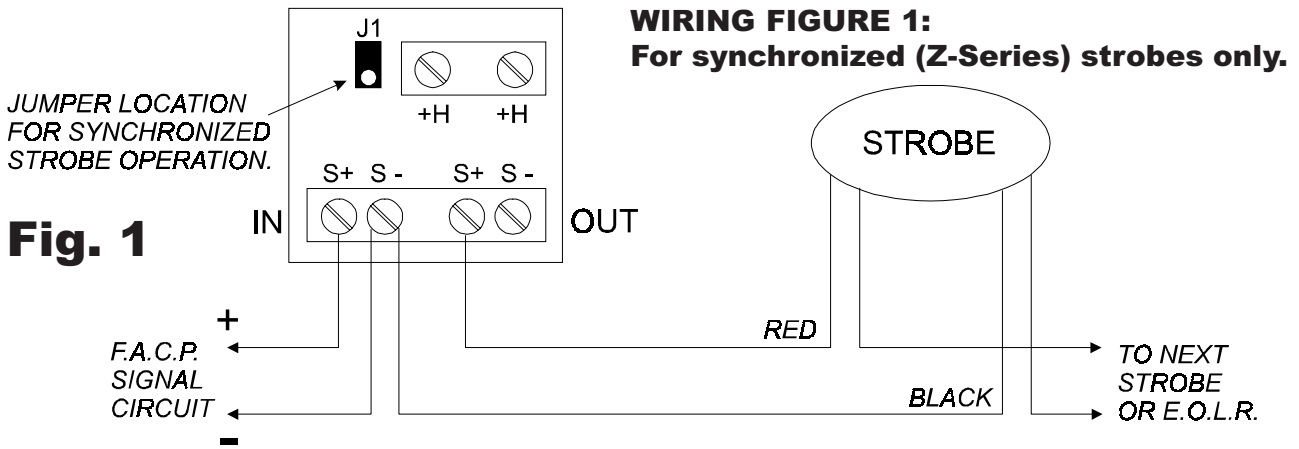
Made in the U.S.A.

## COMPATIBILITY AND DIMENSIONS

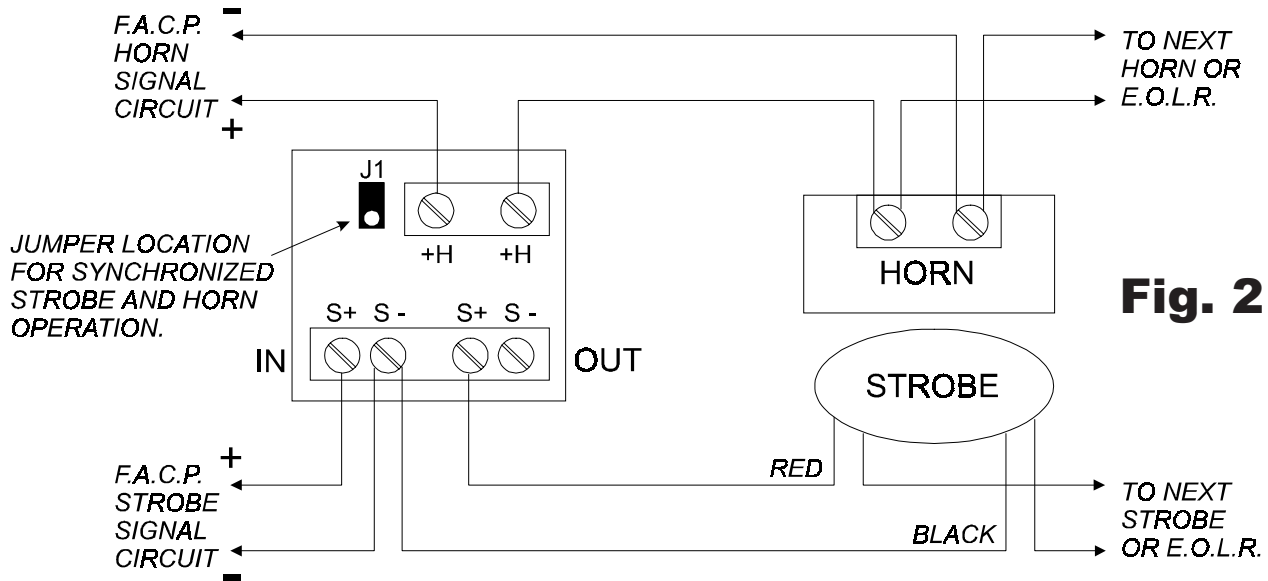
The ZMS4 works with all the Gentex Z-Series strobes except the GOS Series. Use the AVS44 for the GOS Series.  
**Dimensions:** 3.321" (84.3534 mm) high x 2.896" (73.5584 mm) wide x 1.190" (30.2260 mm) deep.

## WIRING DIAGRAMS

**WIRING NOTE:** Do NOT loop wires under terminals.  
Use in-and-out wiring method.



## WIRING FIGURE 2: For synchronized (Z-Series) strobes and temporal horn.



## WIRING FIGURE 3: For synchronized temporal horn only.

